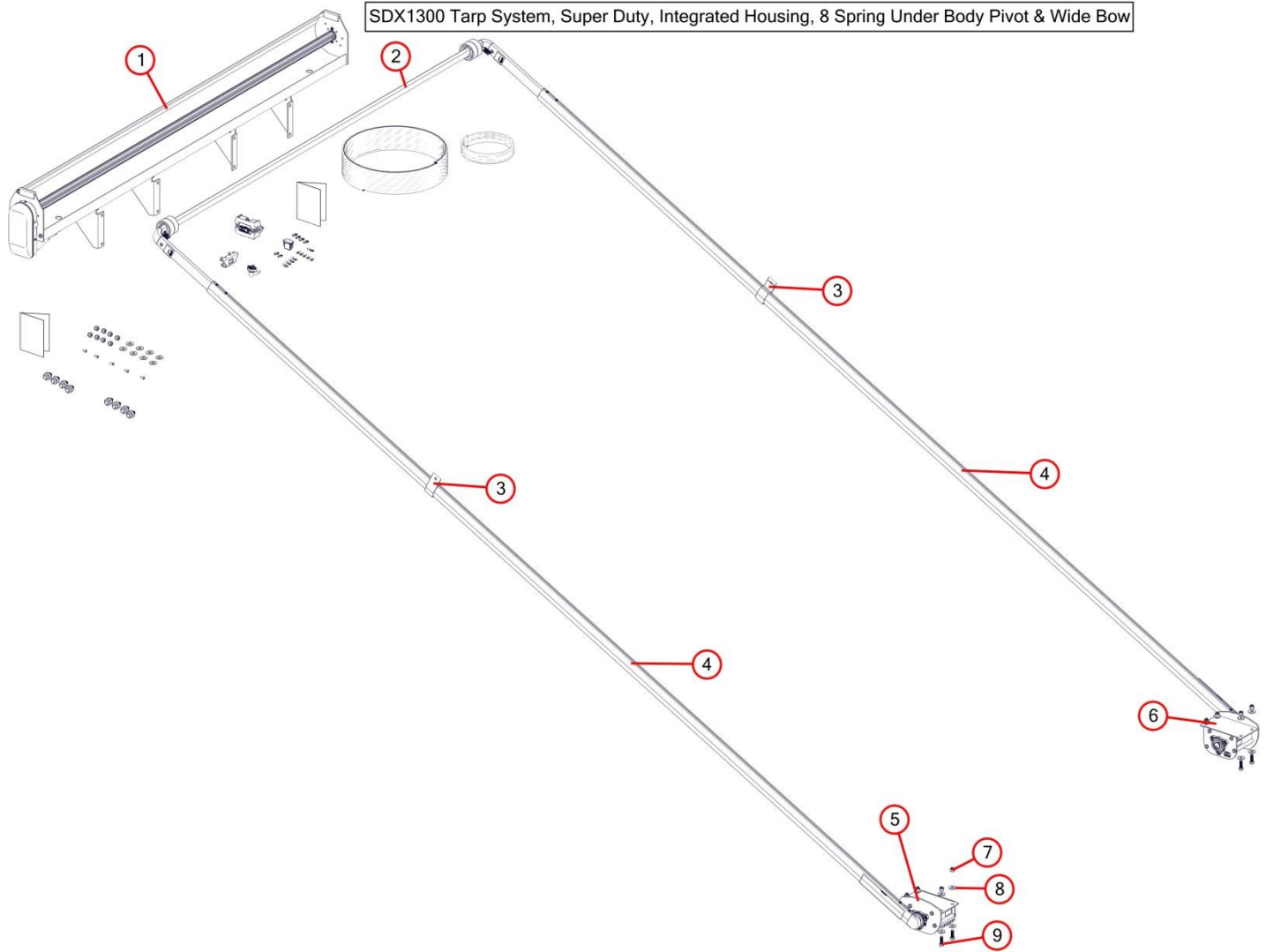


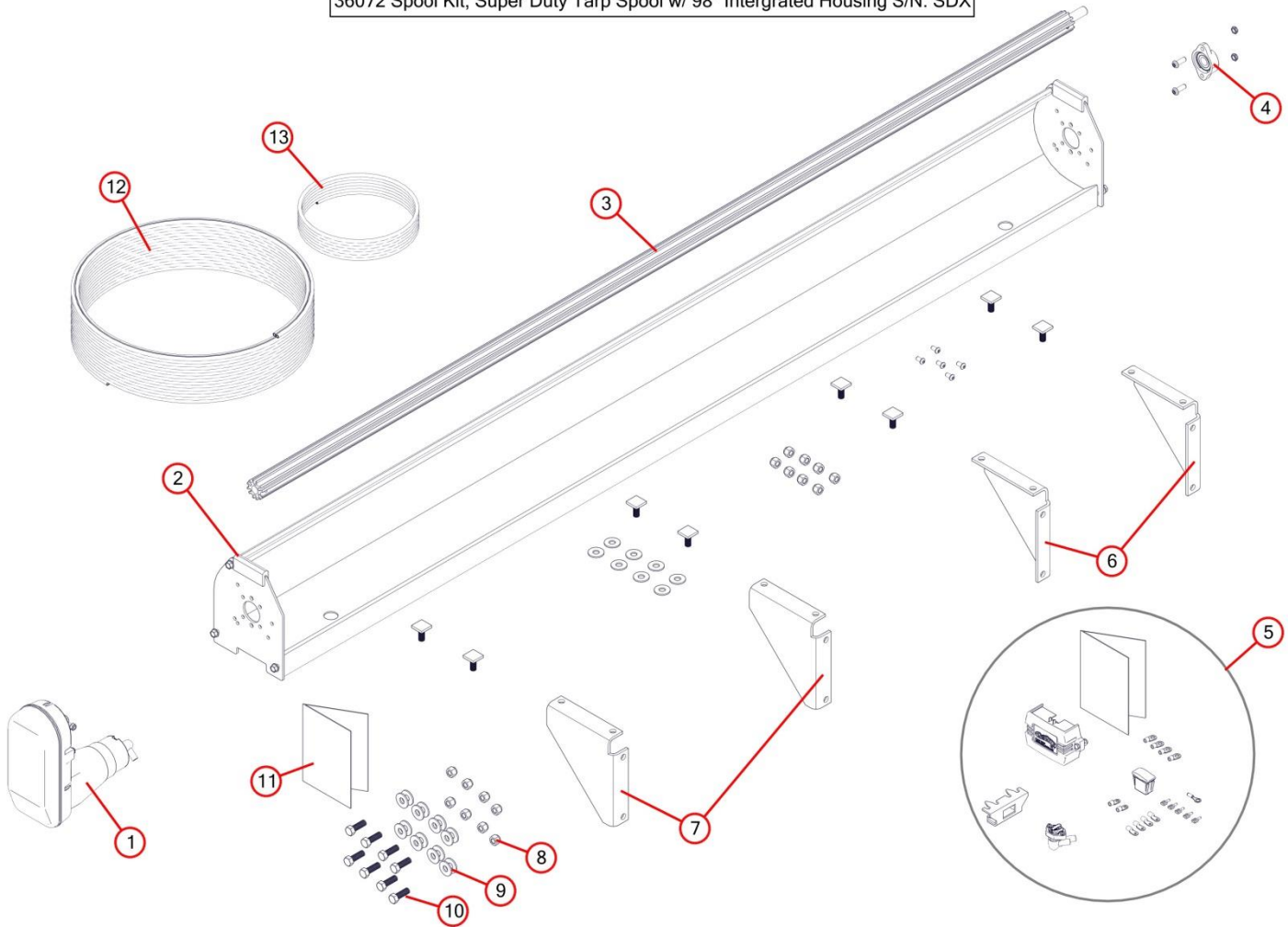
## SDX1300 Tarp System, Super Duty, Integrated Housing, 8 Spring UB Pivot



SDX1300 Tarp System, Super Duty, Integrated Housing, 8 Spring Under Body Pivot & Wide Bow

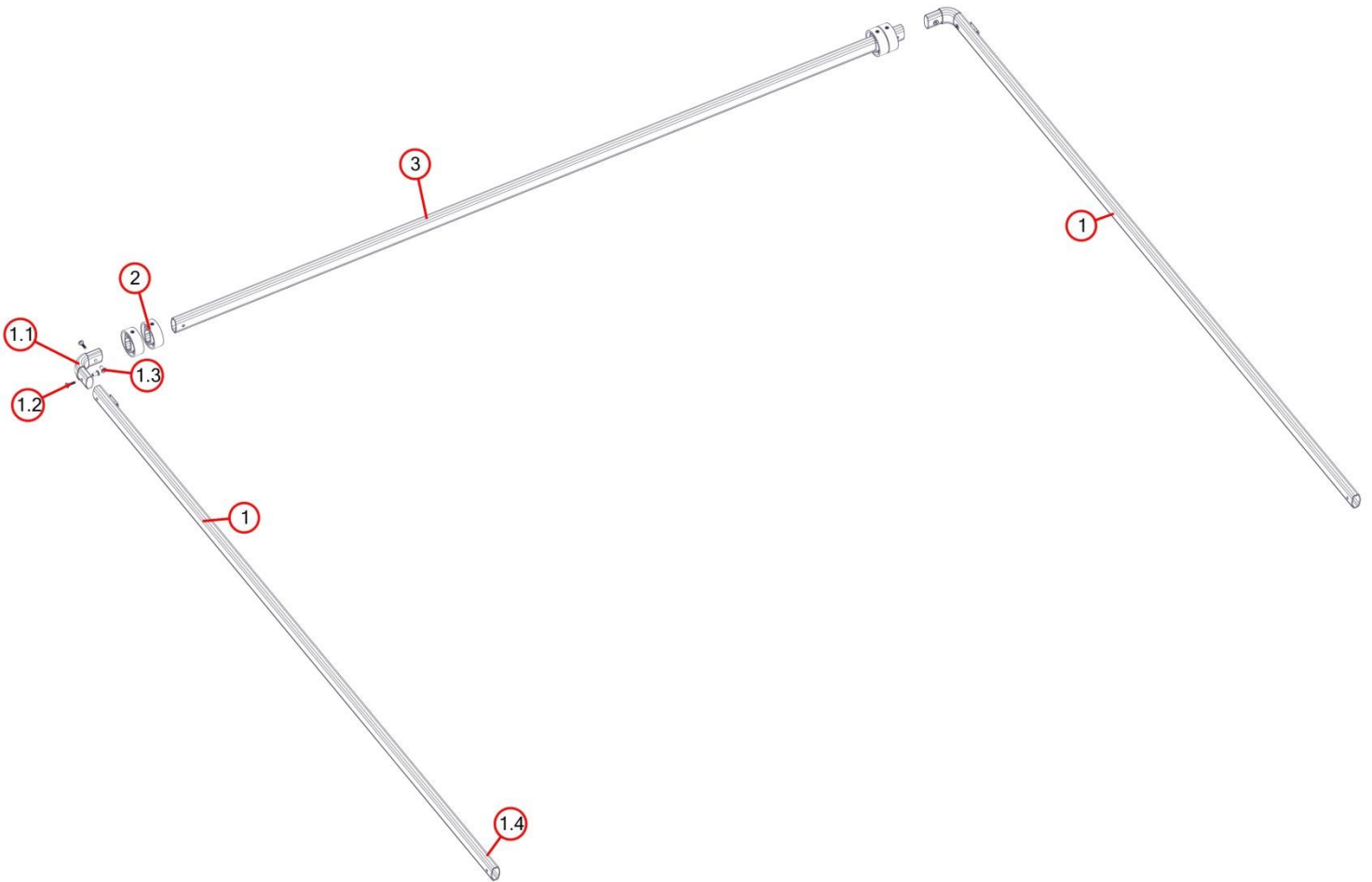
Bom ID	Part#	Description	qty
Ref	SDX1300	Tarp System, Super Duty, Integrated Housing, 8 Spring Under Body Pivot & Wide Bow	1
1	36072	Spool Kit, Super Duty Tarp Spool w/ 98" Integrated Housing S/N: SDX	1
2	76720	Bow Set, 103 1/2" Wide Top Tube w/ 98" Bow Arms	1
3	76831	Bracket, Pivot Arm Tie Down	2
4	47450	Pivot Tube, 192" -16ft- w/ Set Screws for 8 Spring R	2
5	103297	Pivot, UB Assembly 8-Spr Drivers w/o Tube	1
6	103298	Pivot, UB Assembly 8-Spr Pass w/o Tube	1
7	18631	Nut, 1/2" Nylock Nut	8
8	18412	Washer, 1/2" Flat Zinc	16
9	18296	Bolt, 1/2" x 1 1/2" Hex Head Bolt	8

36072 Spool Kit, Super Duty Tarp Spool w/ 98" Intergrated Housing S/N: SDX



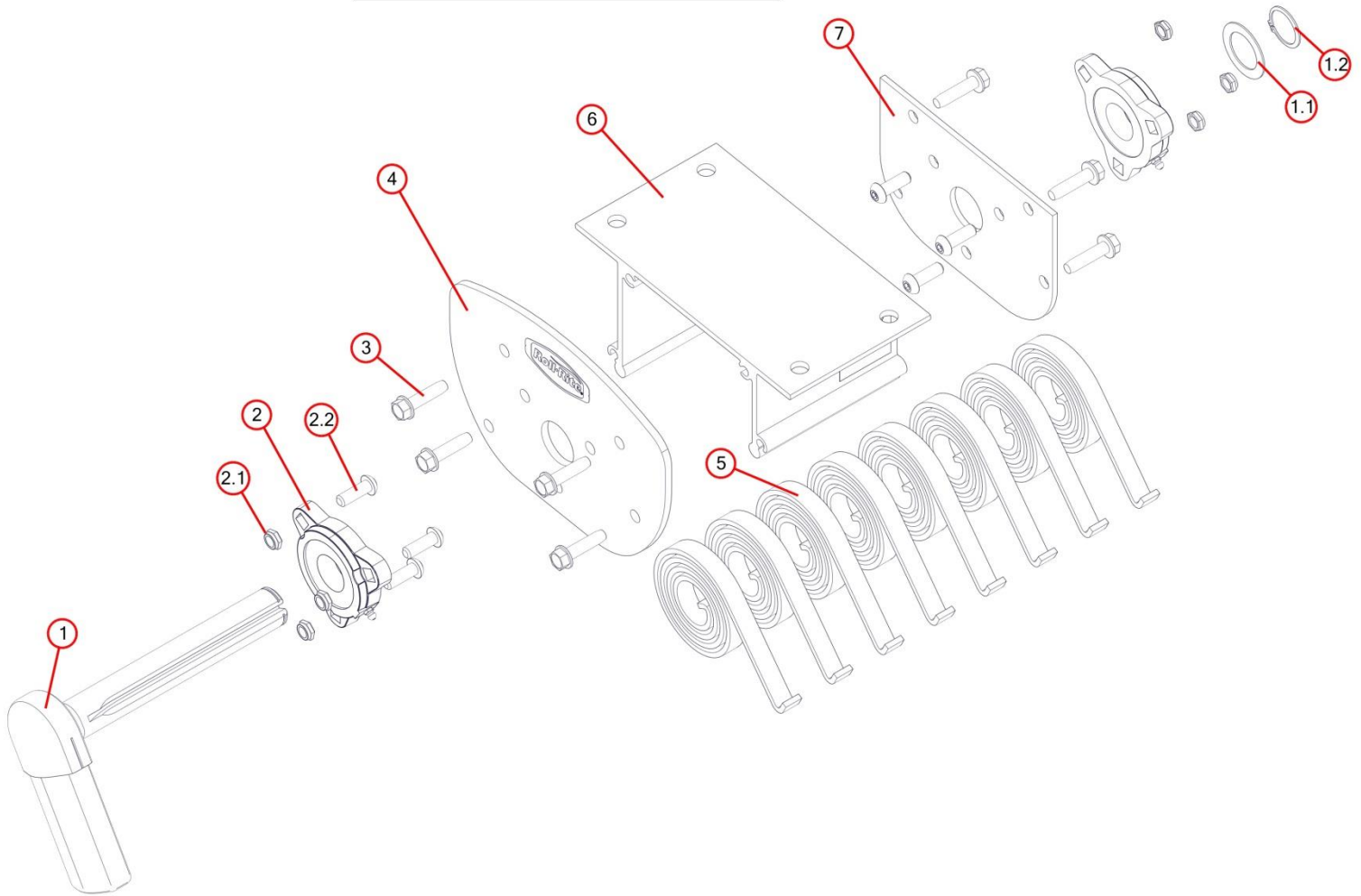
Bom ID	Part#	Description	qty
Ref	36072	Spool Kit, Super Duty Tarp Spool w/ 98" Integrated Housing S/N: SDX	1
1	10151	Gear Motor, Super Duty w/5 Year Warranty 24V - SN: SD	1
2	36164	Housing, Spool 98" Aluminum Integrated Housing	1
3	31030	Axle, 97" Pre Threaded AL Tarp Axle w/Stub Shaft	1
4	31050	Bearing, 3/4" Flanged Axle Bearing with bolts/nuts	1
5	10924	Electric Kit, With 10699 24V Relay and Rocker Switch	1
6	36856	Bracket, Int Housing Gusset - Left (ea)	2
7	36858	Bracket, Int Housing Gusset - Right (ea)	2
8	18631	Nut, 1/2" Nylock Nut	8
9	18412	Washer, 1/2" Flat Zinc	16
10	18296	Bolt, 1/2" x 1 1/2" Hex Head Bolt	8
11	101501	Instructions, Front to Back Installation	1
12	11338	Wire, 6 ga. Dual Conductor -85ft-	1
13	11411	Wire, 16/3-Conductor -15ft	1

76720 Bow Set, 103 1/2" Wide Top Tube w/ 98" Bow Arms



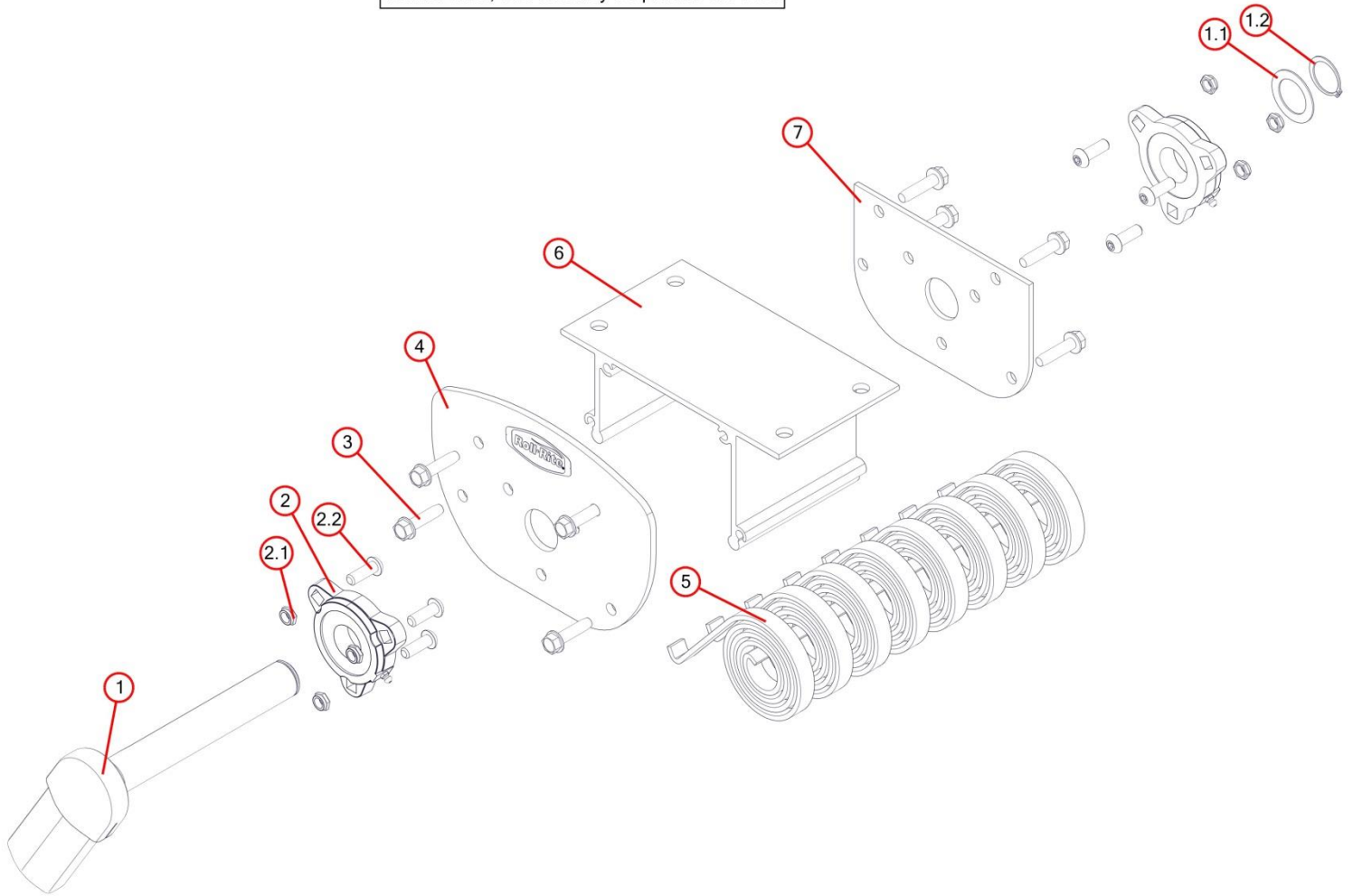
Bom ID	Part#	Description	qty
Ref	76720	Bow Set, 103 1/2" Wide Top Tube w/ 98" Bow Arms	1
1	76760	Bow Tube, 98" Al Side Arm W. 90° Corner	2
1.1	76800	Casting, Aluminum Corner - 90 Degree	2
1.2	18718	Bolt, 1/4-20 x 1 3/16 Golt Clear Zinc - Post bolt for 90 degree corners	2
1.3	18719	Nut, 1/4-20 Cap Conn Nut Clear Zinc - Post bolt for 90 degree corners	4
1.4	76770	Bow Tube, AL Top Tube for Tarp Bow 98"	4
2	76810	Flange, Tarp Flange -pair-	2
3	76870	Bow Tube, AL Wide Top Tube for Tarp Bow - 103 1/2"	1

103297 Pivot, UB Assembly 8-Spr Drivers w/o Tube



Bom ID	Part#	Description	qty
Ref	103297	Pivot, UB Assembly 8-Spr Drivers w/o Tube	1
1	47400	Pivot Pin , for 8 Spring Roller Bearing Piv-Driv Side-	1
1.1	47010	Bushing, Pivot 1 1/4 Machinery Bushing for Pivot Pin	1
1.2	47000	Snap Ring, 1 1/4" External for Pivot Pin	1
2	47800	Bearing, Carrier Underbody Flanged	2
2.1	18628	Nut, Nylock nut 3/8" Jamb Nut	4
2.2	18242	Bolt, 3/8"-16 x 1 1/8" Button Head	4
3	18120	Bolt, 3/8" x 1-1/2" Thread Cutting Screw Hex Washer Hd	8
4	102349	Plate, Al Front for Ext Bolt Flange Mount UB Box	1
5	47230	Spring, Spiral Torsion Spring 1 1/4	8
6	102269	Bracket, Extruded Body with Holes for 8 Spring UB Box	1
7	102259	Plate, Al Back for Ext Bolt Flange Mount UB Box	1

103298 Pivot, UB Assembly 8-Spr Pass w/o Tube



Bom ID	Part#	Description	qty
Ref	103298	Pivot, UB Assembly 8-Spr Pass w/o Tube	1
1	47410	Pivot Pin, for 8 Spr Roller Bearing Piv-Pass Side-	1
1.1	47010	Bushing, Pivot 1 1/4 Machinery Bushing for Pivot Pin	1
1.2	47000	Snap Ring, 1 1/4" External for Pivot Pin	1
2	47800	Bearing, Carrier Underbody Flanged	2
2.1	18628	Nut, Nylock nut 3/8" Jamb Nut	4
2.2	18242	Bolt, 3/8"-16 x 1 1/8" Button Head	4
3	18120	Bolt, 3/8" x 1-1/2" Thread Cutting Screw Hex Washer Hd	8
4	102349	Plate, Al Front for Ext Bolt Flange Mount UB Box	1
5	47230	Spring, Spiral Torsion Spring 1 1/4	8
6	102269	Bracket, Extruded Body with Holes for 8 Spring UB Box	1
7	102259	Plate, Al Back for Ext Bolt Flange Mount UB Box	1