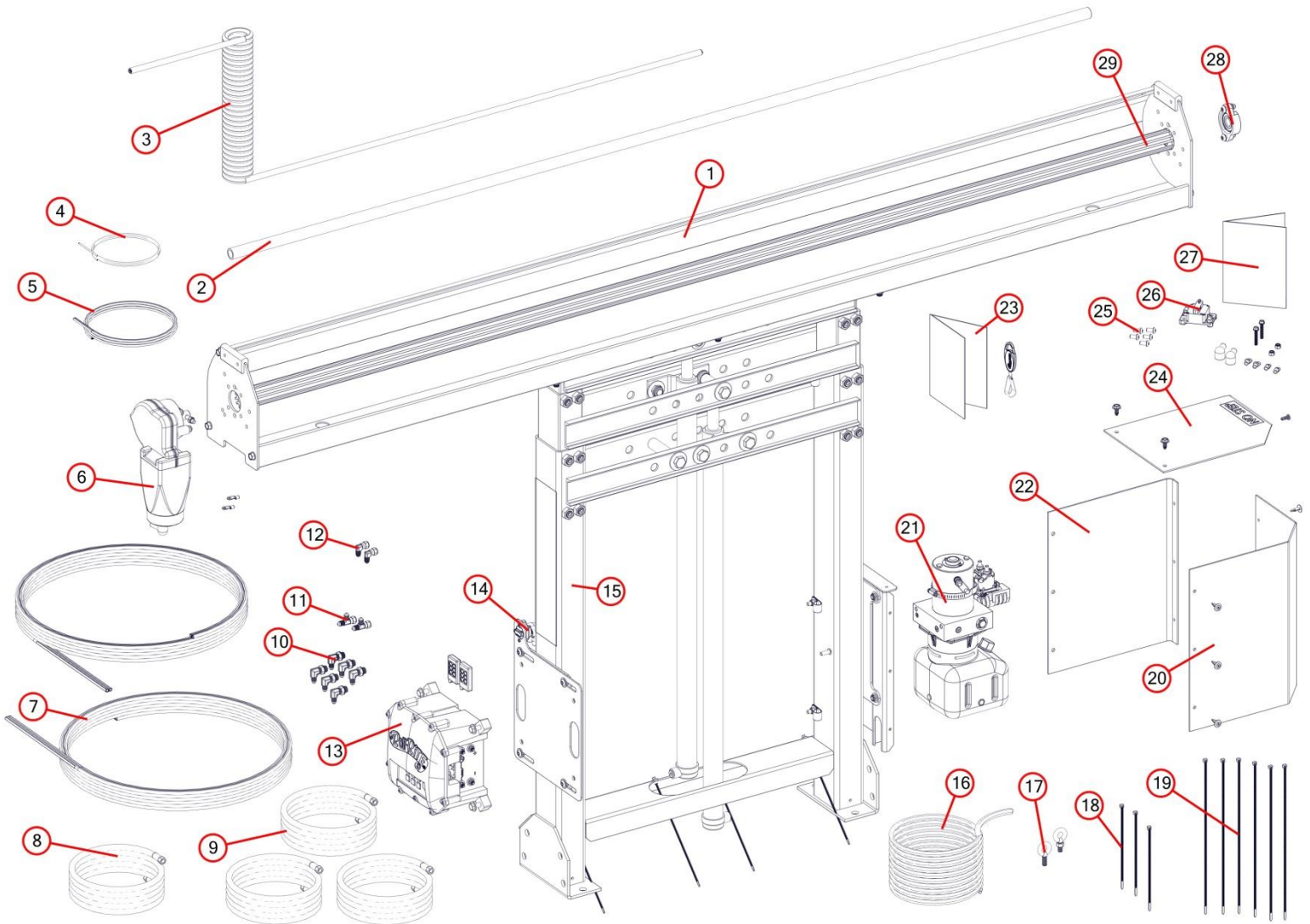


DCX100 Tarp System, Armless w/2-Stage Adjustable Tower



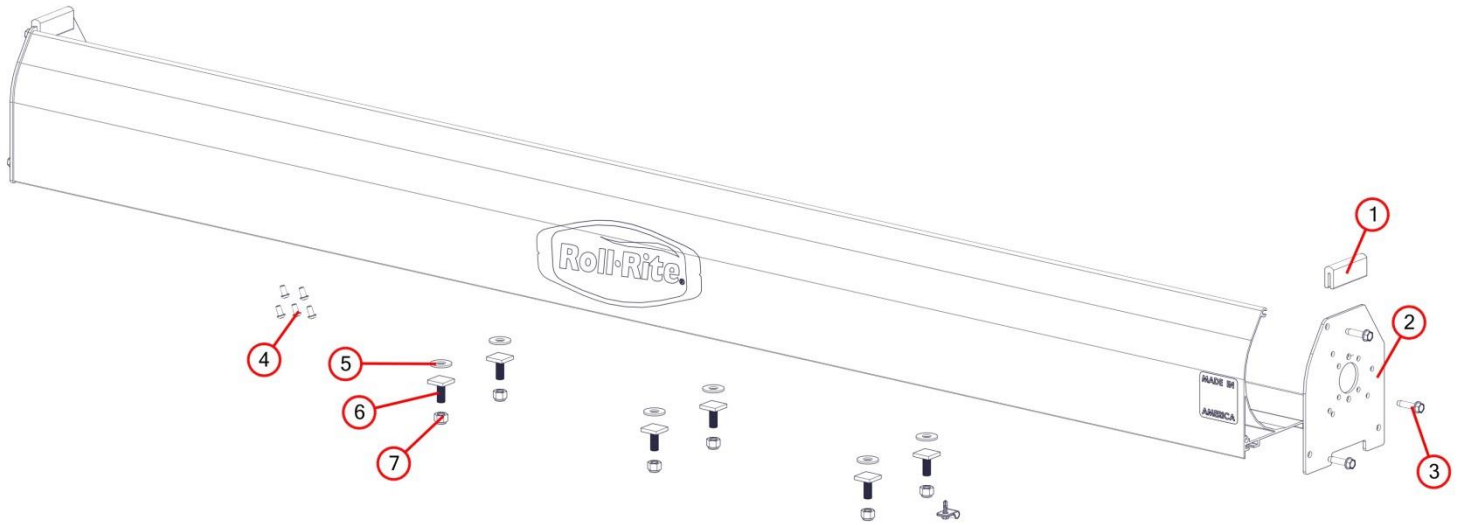


Automated Covering Systems

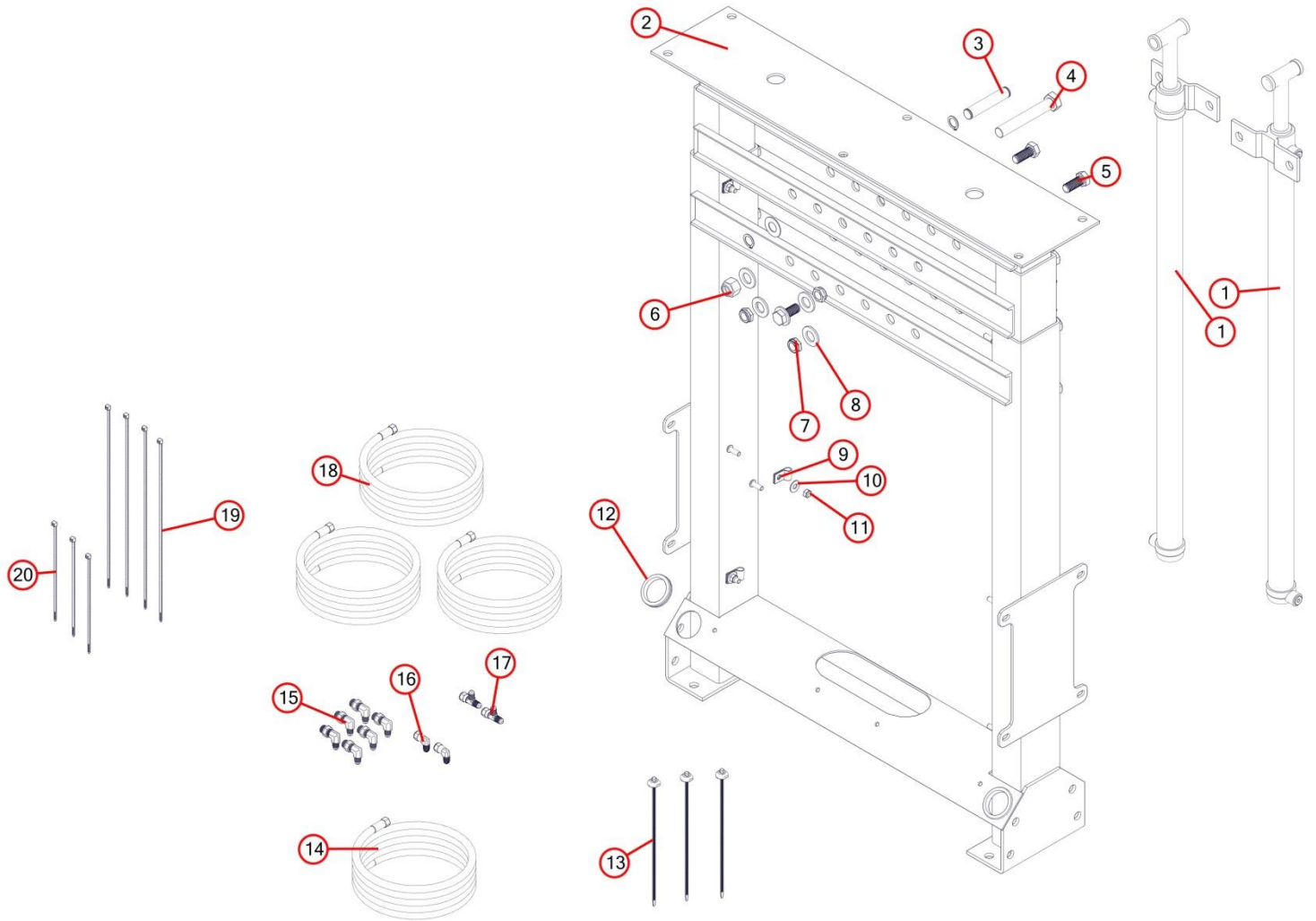
DCX100 Tarp System, Armless w/2-Stage Adjustable Tower

Bom ID	Part#	Description	qty
Ref	DCX100	Tarp System, Armless w/2-Stage Adjustable Tower	1
1	36164	Housing, Spool 98" Aluminum Integrated Housing	1
2	100957	Rod, Fiberglass Rod 1"ODx 1/8GN .75 ID For SA Tarp	1
3	103630	Wire, Tower Coil Cord Dual 110" - 2-8ga & 2-16 ga with 12 & 48" leads	1
4	11347	Wire, 16 ga. Single-Conductor (per foot)	1
5	11345	Wire, 16 ga. 2-Conductor -per ft-	1
6	10300	Gear Motor, TarpMaster w/3 Year gear Motor 24 V - S/N: TM	1
7	11330	Wire, 6 ga. Dual Conductor -ft-	2
8	100610	Hose, 44" Replacement Hyd. Hose	1
9	39285	Hose, 60" Replacement Hose for Armless Palfinger DC900	3
10	39299	Adapter, Str #4 Male Tube to #6 Male Oring (speed block to hose)	6
11	39314	Adapter, Tee #4 Male Tube to #4 Female Swivel to #4 male Tube	2
12	39297	Adapter, 90° #4 Male tube to #4 37° female swivel	2
13	19865	Control Box, Wireless Black Cntrl Box -12V Waste	1
14	17910	Breaker, 15A Outdoor Manual Reset Circuit Breaker	1
15	39005	Tower, Dual Stage Adjustable Tower w/Hydraulic Cylinder - Integrated Housing	1
16	62070	Rope, Nylon 3/8"	1
17	18236	Bolt, 3/8-16 x 1" Eye bolt Zinc W/Nut	3
18	1130	Zip Tie, 8" Ty Rap	3
19	1131	Zip Tie, 15" Ty Rap	6
20	39615	Pump Cover, Black Housing for Hydralic Pump on Vert Mount Towers NEW	1
21	39612	Pump Assembly, 12V Hydraulic Pump w/Manifold & 1 Valve & Compact Tank	1
22	10794	Bracket, Pump Mount Cover Steel 1/8x16x13 7/8"	1
23	101629	Insturctions, DC Series Operating Manual	1
24	10778	Top cover for external leg pump mount	1
25	18260	Bolt, 5/16" x 5/8" Button Head Bolt-Zinc Plated	5
26	17915	Breaker, 100 amp Manual Reset Breaker Only 24V & 12V Integrated	1
27	101630	Instructions, DC Series Installation	1
28	31050	Bearing, 3/4" Flanged Axle Bearing with bolts/nuts	1
29	31030	Axle, 97" Pre Threaded AL Tarp Axle w/Stub Shaft	1

36164 Housing, Spool 98" Aluminum Integrated Housing

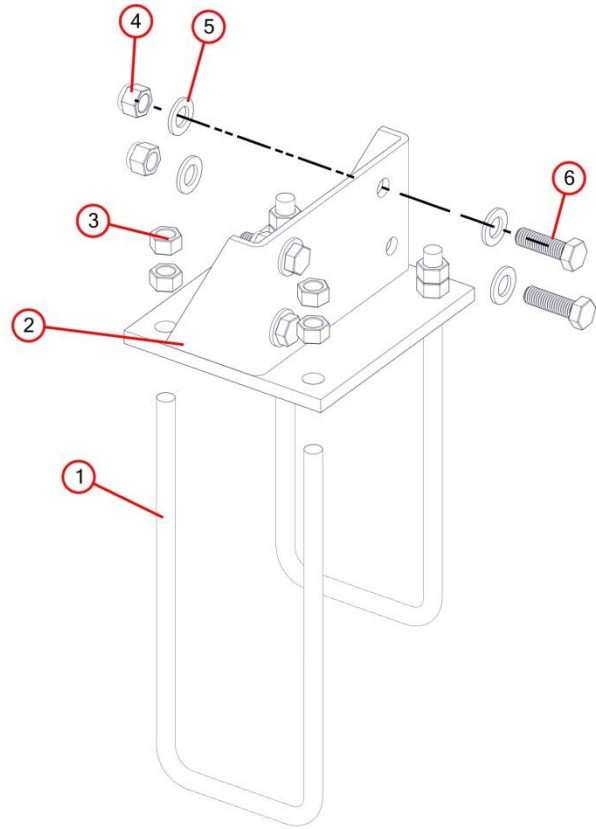
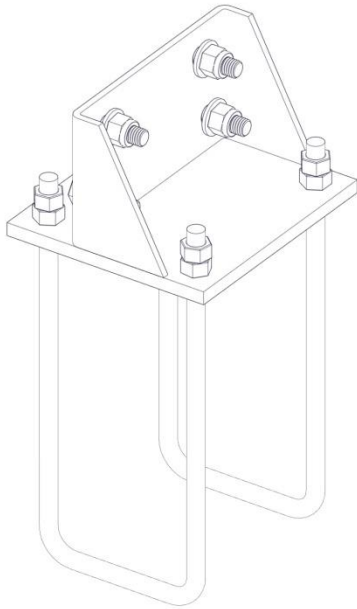


Bom ID	Part#	Description	qty
Ref	36164	Housing, Spool 98" Aluminum Integrated Housing	1
1	36300	Bumper, Rubber Bumper for Tarp Spool -each-	2
2	36340	Bracket, Aluminum Mounting Brackets - PAIR	2
3	18120	Bolt, 3/8" x 1-1/2" Thread Cutting Screw Hex Washer Hd	6
4	18631	Nut, 1/2" Nylock Nut	6
5	18245	Bolt, T-Bolt 1/2-13NCx1.75 for GAB	6
6	18412	Washer, 1/2" Flat Zinc	6
7	18260	Bolt, 5/16" x 5/8" Button Head Bolt-Zinc Plated	5



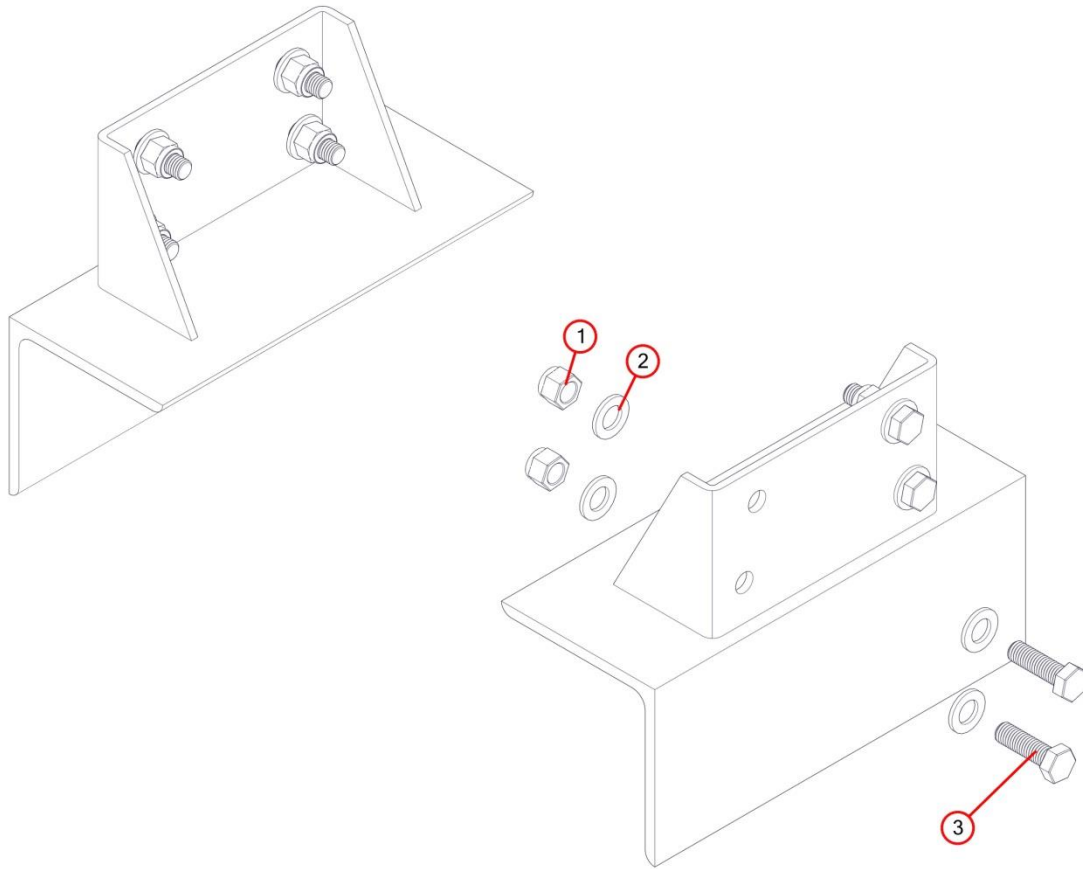
Bom ID	Part#	Description	qty
Ref	39005	Tower, Dual Stage Adjustable Tower w/Hydraulic Cylinder - Integrated Housing	1
1	39520	Cylinder, 1.5" Bore x 36" Stroke DA, Single Flange Mount	2
2	101472	Tower, 2 Stage Tower for Int Housing - Stationary Dual stage	1
3	69509	Pin, Short Cylinder Pin 3/4" Rod x 3.850	1
4	18721	Bolt, 3/4" x 5"	1
5	18710	Bolt, 5/8" x 1 1/2" Bolt Zinc	3
6	18640	Nut, 3/4" Nylock Nut	1
7	18716	Nut, 5/8" Nylock Jamb Nut Zinc	3
8	18734	Washer, 3/4 Zinc SAE Washer	4
9	16345	Clamp, 1/2" Rubber Coated	1
10	18400	Washer, 5/16" USS Flat Zinc	3
11	18613	Nut, 5/16" Nylock Nut	3
12	16417	Grommet, Rubber Grommet 2" for Towers	2
13	1132	Zip Tie, Button Head 21087	3
14	100610	Hose, 44" Replacement Hyd. Hose	1
15	39299	Adapter, Str #4 Male Tube to #6 Male Oring (speed block to hose)	6
16	39297	Adapter, 90° #4 Male tube to #4 37° female swivel	2
17	39314	Adapter, Tee #4 Male Tube to #4 Female Swivel to #4 male Tube	2
18	39285	Hose, 60" Replacement Hose for Armless	3
19	1131	Zip Tie, 15" Ty Rap	4
20	1130	Zip Tie, 8" Ty Rap	3

39001 Bracket, U-bolt Style Tower Mounting Bracket - Set



Bom ID	Part#	Description	OPTIONAL:	qty
Ref	39001	Bracket, U-bolt Style Tower Mounting Bracket - Set		1
1	18714	Bolt, 5/8" x 14" U Bolt w/ 3 1/2" bottoms-Grd8 Fine Thread		1
2	100397	Bracket, U-bolt style tower mounting bracket (welded Pad and Gusset)		1
3	18305	Nut, 5/8" - 18 HEX G5 ZINC - For U Bolts		1
4	18587	Nut, 5/8" -10 Grade 8 Yellow Zinc Nylon Insert Lock Nut		2
5	18417	Washer, 5/8" Lock SAE		1
6	18738	Bolt, 5/8"-11 x 2 Hex Head Grade 8 Yellow Zinc		1

39002 Tower mounting bracket



Bom ID	Part#	Description	OPTIONAL:	qty
Ref	39002	Bracket, Side Frame Style Tower Mounting Bracket - Set		1
1	18587	Nut, 5/8" -10 Grade 8 Yellow Zinc Nylon Insert Lock Nut		8
2	18417	Washer, 5/8" Lock SAE		16
3	18738	Bolt, 5/8"-11 x 2 Hex Head Grade 8 Yellow Zinc		8